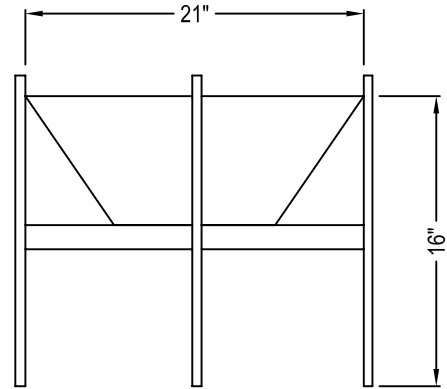




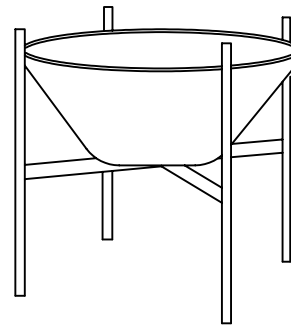
VESSELL USA INC. - ARCHITECTURAL POTTERY
P.O. BOX 28242
SAN DIEGO, CA, 92198
PHONE: (858) 385-1960
FAX: (858) 485-0889
www.architecturalpottery.com



SIDE VIEW

WALNUT ACCESSORY STAND, OILED FINISH

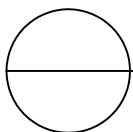
ILLUSTRATED DIMENSIONS ARE APPROXIMATE INCHES. FOR OUTDOOR USE, A DRAIN HOLE MAY BE DRILLED TO MAINTAIN PROPER DRAINAGE (\$5 OPTION BY REQUEST). CERAMIC CONTAINERS SHOULD NEVER BE SUBJECT TO FREEZING WATER TEMPERATURES.



ISOMETRIC VIEW

NOTES:

1. INSTALLATION TO BE COMPLETED IN ACCORDANCE WITH MANUFACTURER'S SPECIFICATIONS.
2. ALL DIMENSIONS ARE CONSIDERED TRUE AND REFLECT MANUFACTURER'S SPECIFICATIONS.
3. DO NOT SCALE DRAWING.
4. CONTRACTOR'S NOTE: FOR PRODUCT AND COMPANY INFORMATION VISIT www.CADdetails.com/info REFERENCE NUMBER 430-021.



WS-3 ACCESSORY STAND FOR PLANTER/CONTAINER

DESIGNED BY: LA GARDO TACKETT